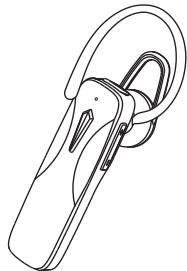


maxell

Wireless Headset

MXH-HS03



User Manual

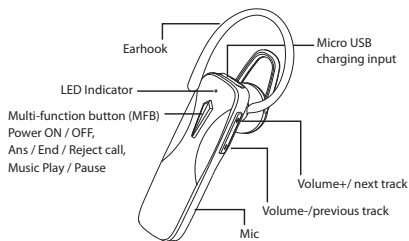
What is in the pack:

Content

- Main Unit × 1
- Ear Hook × 1
- Earpiece × 1
- Charging USB Cable (USB to Micro-USB) × 1
- User Manual × 1

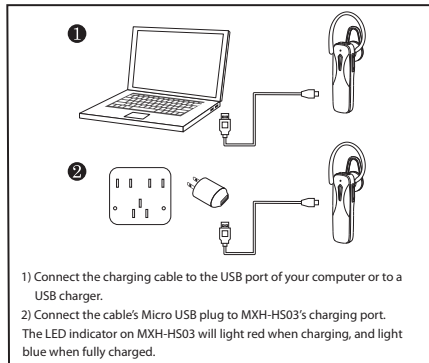
Bluetooth® v5.1

Appearance of the MXH-HS03 Bluetooth® headset



Charging

Power input: Micro USB DC 5V
Charging time: Approx. 1 – 1.5 Hours
Talking time / Music time: Approx. 3 Hours
Standby time: Approx. 50 Hours



Remarks:

When the battery level is low, the LED indicator will flash red and alert tone will be heard by the user. If the battery level runs out, the MXH-HS03 will turn off automatically. The user should stop using the MXH-HS03 and charge the headset for the next use.

Turn On/Off and Pairing

1. Turn On: When the headset is off, press and hold the MFB button for 5 seconds to turn on the unit and it will enter the pairing mode. Blue and red LED flashing alternatively.
2. Pairing: Follow the instruction of your Bluetooth-enabled device to pairing, select "MXH-HS03" from the list displayed on the Bluetooth-enabled device. Once pairing is successful, Blue LED flashing once every 5 seconds.
Remark: If a PIN code is required for pairing, the default is: 0000
3. Turn Off: When the headset is on, press and hold MFB button for 5 seconds, Red LED flashing 3 times and then turns off.
4. Auto Off: Once the MXH-HS03 is not connected to any device for 3 minutes, it will turn off automatically.

Operations

Phone Call

- Receive a call : Once there is an incoming, an indication ring tone will be heard. Short press the MFB button to pick up the call.
- End call : The user can press the MFB button once during a call to end it.
- Reject call : When the user wants to reject an incoming call, press and hold the MFB button for 2 seconds.
- Redial : Double click the MFB button to redial the last dialed phone number
- Volume control : During a call, press the Volume "+" button to increase the volume or the Volume "-" button to decrease the volume
- Call waiting : When the user is already on a call and there is another incoming call, the user can take the new call (and keep the original call waiting) by pressing and holding the volume "-" button for 3 seconds. By the same operation, the user can switch between the two calls. The user can end the current call by a short press of the MFB button

Music Playing

- To play/pause the music : Short press the MFB button
- Next track : Long press the Volume "+" button
- Prev. track : Long press the Volume "-" button
- Volume up : Short press the Volume "+" button
- Volume down : Short press the Volume "-" button
- *Functions may be varied according to different devices.

Indications

- Connected (Stand-by) : Blue LED flashing once every 5 seconds
- Pairing : Blue and red LED flashing alternatively
- Charging : Red LED On continuously
- Charging finished : Blue LED On continuously
- Low power : Red LED flashing and an alert tone will be sounded

Warnings

1. Do not put the headset into fire, or expose to sources of high temperature.
2. The headset is not waterproof. Do not put into water or other liquids.
3. Calling during driving is not recommended for road safety considerations.
4. Music playing during driving might be an offense of local laws in some regions. User should check with local authorities and decide the usage of the headset under their own responsibilities.
5. Headset play time will vary with different devices, volume and environments.
6. Operation range is up to 10 meters line-of-sight in an open and clear environment.
7. Functions may be varied according to different devices.

Battery Note and Care

1. Do not burn or bury batteries.
2. Do not puncture or crush.
3. Do not disassemble.
4. Li-ion batteries must be recycled. Do not dispose of in the trash.
5. Only use rated charger for Li-ion cells. Be sure the charger's voltage and current settings are correct for the device being charged.
6. Charge batteries on a fireproof surface and away from flammable items or liquids.
7. Batteries should NEVER be left unattended while charging.
8. Keep out reach of children when the product is being charged.
9. Follow the manufacturer's instructions for charging the product.

The specification may change at any time without advance notice. Maxell reserve the rights for any modification of this product.

Hereby, Maxell Asia, Ltd. declares that the radio equipment type MXH-HS03 is in compliance with Directive 2014/53/EU.

The full text of the EU declaration of conformity is available at the following internet address:
www.maxell.eu



Please disposal of waste batteries and electrical and electronic equipment (applicable in the European Union and other European countries with electronic collection systems)

With this symbol on the product, battery or packaging, the product and battery shall not be disposed as household waste.

This symbol may be used in combination with a chemical symbol Hg (mercury), Cd (Cadmium) and Pb (Lead) if the battery contains more than 0.0005% mercury, more than 0.002% cadmium or more than 0.004% lead.

At end-of-life it should be dropped off at the collection point for the recycling of electrical and electronic equipment.

The proper disposal of the product and battery would help preventing potentially negative impact to environment and human health.

For more information about the collection points and recycling of product and battery, please contact your local authorities.